



## Building Post Tension Concrete Anchorage Round Prestressed Anchor Bearing Plate

Our Product Introduction

for more products please visit us on [greycastironcasting.com](http://greycastironcasting.com)

### Basic Information

- Place of Origin: Mainland China
- Brand Name: NC012
- Certification: ISO9001,CE,SGS
- Model Number: 012
- Minimum Order Quantity: 100 pcs
- Price: Can talk
- Packaging Details: Wooden Case
- Delivery Time: 30 days
- Payment Terms: T/T, L/C
- Supply Ability: 80,000 pcs monthly



### Product Specification

- Name: Round Anchor Bearing Plate
- Material: Iron, Cast Iron
- Application: Bridge, Building, Highway, Railway, Etc
- Diameter: 12.7mm, 15.24mm, 17.8mm, Etc
- Shape: Round
- OEM: Available
- Highlight: **post tension accessories, prestressed anchorage, post tensioning system**



### More Images



## Product Description

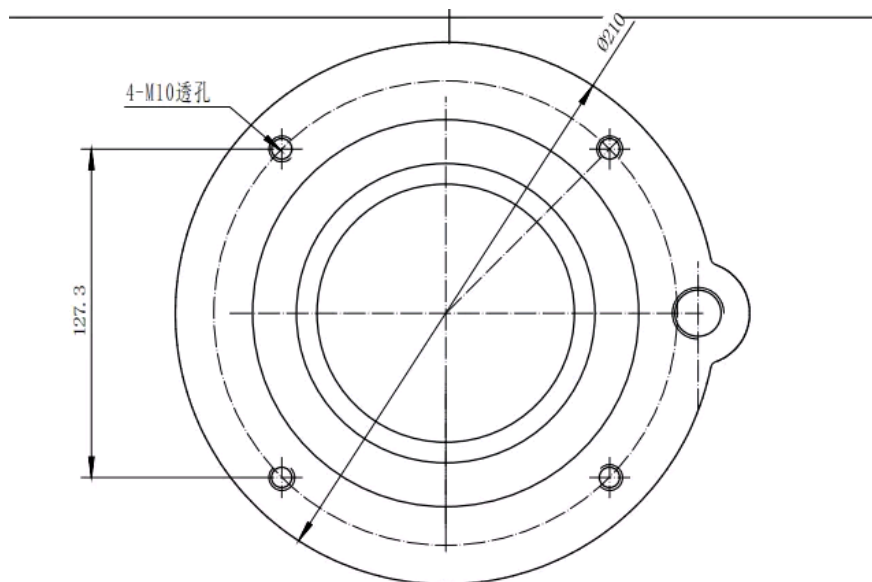
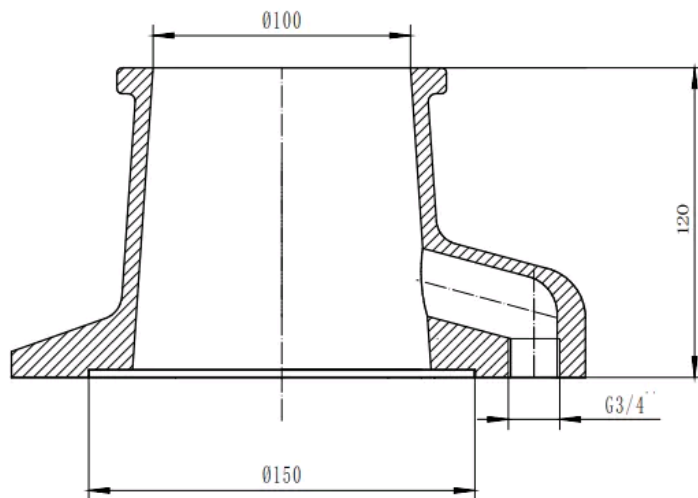
### Post Tension Concrete Anchorage Round Prestressed Anchor Bearing Plate

#### Description

Anchor bearing plate is the key component, which transfer the load from anchor head to concrete under anchor. The method of transfer and distribution of stress affect the anti-cracking and load capacity of concrete. Bursting reinforcement used for distributing the concrete. For prevent concrete from crazing, and use the bursting reinforcement for strengthening tendons.

#### Product Details

Product Name	Prestressed Concrete Round Anchor Bearing Plate
Material	Cast Iron
Color	Red or None
Standard	GB/ISO/ASTM/SGS
Product Shape	Round
Product Type	Anchor Bearing Plate
Place Of Origin	China Mainland
Application	Bridge, Building, Highway, Railway, etc





#### FAQ

Q: How long is your delivery time?

A: Generally it is 5-10 days if the goods are in stock. or it is 15-20 days if the goods are not in stock, it is according to quantity.

Q: Do you provide samples ? is it free or extra ?

A: Yes, we could offer the sample for free charge but do not pay the cost of freight.

Q: What is your terms of payment?

A: Payment<=1000USD, 100% in advance. Payment>=1000USD, 30% T/T in advance ,balance before shippment.



Sunrise Foundry CO.,LTD

+86-15067447509

sales@greycastironcasting.com

greycastironcasting.com