



## SS304 316 Stainless Steel Casting Pipe Fitting BSPT NPT Thread Screwed Tee

Our Product Introduction

for more products please visit us on [greycastironcasting.com](http://greycastironcasting.com)

### Basic Information

- Place of Origin: Ningbo China
- Brand Name: nc60
- Certification: ISO 9001
- Model Number: 60
- Minimum Order Quantity: 1 pcs
- Packaging Details: Pallet
- Delivery Time: 30 days
- Payment Terms: T/T, L/C
- Supply Ability: 80,000 pcs per month



### Product Specification

- Material: Stainless Steel
- Technics: Precision Casting
- Type: Tee
- Shape: Equal, Reducing
- Application: Oil, Petroleum, Chemical, Water, Gas And General Chemical Service
- Pressure: 150LBS
- Highlight: **stainless steel investment casting, lost wax casting stainless steel**



### More Images



## Product Description

### SS304 316 Stainless Steel Casting Pipe Fitting BSPT NPT Thread Screwed Tee

#### Description

304 stainless steel castings conform to ASTM A351 ACI Grade CF8.  
 316 stainless steel castings conform to ACI Grade CF8M.  
 NPT threads conform to ASME B1.20.1.  
 Manufacturing facility is ISO 9001:2008 Certified.  
 Pipe fittings meet applicable chemical & mechanical properties.

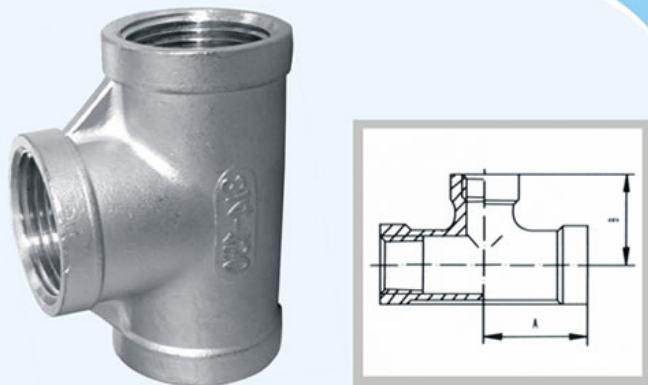
Pipe Fittings Stainless Steel  
 Dimensions: A=2.72 | Pipe Fittings | Stainless Steel Fittings | 150 PSI.  
 Size (inches): 2-1/2".  
 Material Type: 304 Stainless Steel.  
 Product Type: Tee.  
 Category: Pipe Fittings.

#### About Us

We are a professional manufacturer in Ningbo China.  
 We produce stainless steel screwed pipe fittings, welding pipe fittings, valve, quick couplings, flanges.  
 Please contact us for any further details.

#### Basic Information

Material Available	SS201, SS304, SS316
Related Products	ELBOW, TEE, SOCKET, HEX NIPPLE, UNION(WITH TEFL OR TAPER), SQUARE PLUG, ROUND CAP, HOSE NIPPLE, STREET ELBOW, STREET SOCKET, BALL VALVE.
Application	Machinery and equipment, plumbing parts, oil equipment parts, pipe fittings, water treatment equipment, marine equipment and accessories, pneumatic electrical accessories, metal products manufacturing, processing and sales, valves, flange processing, sales, steel pipe, steel plate, round bar.







SIZE ITEM	1/8"	1/4"	3/8"	1/2"	3/4"	1"	1 1/4"	1 1/2"	2"	2 1/2"	3"	4"
A		19.5	23.5	24	42	34	37	44	51.5			
B		19.5	23.5	26	30.5	36	39.5	46.5	55.5			

Related Parts: stainless steel pipe fittings , stainless steel valve , sanitary fittings, quick couplings, stainless steel flange.

#### Our Advantages

1. Best price. Manufacturing and mixing raw material by ourselves, Efficient management, Mechanize production line, 90% skilled worker, make our cost very low which ensure the best price.
2. Our products are made of virgin raw material which guarantee the high quality.
3. We use high-precision mould (we have wholly-owned mould-making subsidiaries) to make products, that is why the surface of our products is better. And also the size is very accurate. That also cut down the cost of our pipe and pipe fittings.



				
<b>Cross</b>	<b>90 Degree Elbow</b>	<b>45 Degree Elbow</b>	<b>90 Straight Elbow</b>	<b>Tee</b>
				
<b>Swage Nipple</b>	<b>Hex Nipple</b>	<b>Square Plug</b>	<b>Hex Plug</b>	<b>Bushing</b>
				
<b>Union</b>	<b>Weld Outlet</b>	<b>Coupling</b>	<b>Round Cap</b>	

#### FAQ

Q1. Are you a manufacturer or trading company?

A1: We are a professional valves and fittings manufacturer with 6 years' experience for domestic market, and now we start to expanding overseas market from 2017.

Q2. What is payment method?

A2: For samples: T/T, western union.

For orders: We prefer T/T, L/C is also acceptable.

Q3. Do you offer free samples?

A3: We can provide free samples and you should pay the freight. The freight can be returned as long as order placed.

Q4. Do you offer OEM service and can you product as our drawings?

A4: Yes, make sample according to your drawing, or make drawing according to your requirement.

Q5. Do you accept our design on boxes?

A5: Yes. We accept custom design on boxes.

Q6. What's your delivery time?

A6: Generally, we will arrange shipment with 30 days after receiving the deposit. If urgent, we can also meet your requirement.

Q7. What is your price level?

A7: Quick return and small profit. Never make price reduction at the reputation of quality.

Q8. How do you control the quality?

A8: We will arrange sample confirmation before production. During the production, we have professional QC staffs control the quality and manufacture in accordance to the confirmed sample. We will also guarantee the accuracy of packaging and send you shipping sample. Welcome your to visit our factory.



**Sunrise Foundry CO.,LTD**



+86-15067447509



sales@greycastironcasting.com



greycastironcasting.com