



4 Arms Stainless Steel Casting Glass Spider Fittings Curtain Wall Fittings Polish / Satin

Our Product Introduction

for more products please visit us on greycastironcasting.com

Basic Information

- Place of Origin: Ningbo China
- Brand Name: NC70
- Certification: CE, ISO 9001
- Model Number: 70
- Minimum Order Quantity: 1 pcs
- Packaging Details: Customized
- Delivery Time: 30 days
- Payment Terms: T/T, L/C
- Supply Ability: 60,000 pcs



Product Specification

- Material: 304 St/st, 316 St/st
- Process: Precision Investment Casting
- Surface: Polish/satin
- Subject: Glass Facade
- Arm Distance(mm): 160/120/100
- Hole Size(mm): 30
- Highlight: **stainless steel investment casting, stainless steel precision casting**



More Images



Product Description

4 Arms Stainless Steel Casting Glass Spider Fittings Curtain Wall Fittings Polish / Satin

Description

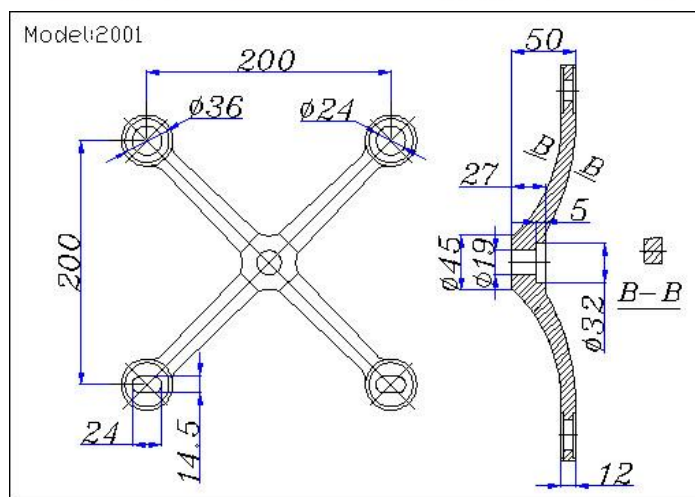
We are a collection of production, sale and engineering. Our products include glass clamps, handrail covers, stair posts, handrail balls, tube fixed bases, handrail brackets, all kinds of connectors for stairs and handrails, flanges, decoration covers, elbows, adjustable elbows and stainless steel tubes.

Features

1. Stainless steel, corrosion-resistant, heat-resistant
2. High-quality, low prices, Factory Outlet
3. Optional two surface materials, economic and elegant
4. We have sold our products to all over the world, we have a professional sales term that give you the best service !

Specifications

Materials:	ss304 & 316	Surface:	satin & mirror
Arms:	2 arms	Weight:	1.505kg regularly (can customized)
Size:	220mm (can customize)	Glass thickness:	normally for 8-18mm glass
MOQ:	50 PCS, sample is acceptable	Application:	Curtain wall system
Packing:	Bubble bag, PE bag & Standard export carton	Shipping:	By sea, by air or express as you need



Why Choose Us

1. Advance equipment and professional factory.
2. Good Service: We treat clients as friend.
3. Good Quality: We have strict quality control system.
4. OEM Accepted: We can produce any your design.

FAQ

Q1: What is the minimum quantity?

A1: The MOQ is 100PCS, but sometimes according to specific product.

Q2: How long is the delivery time?

A2: 15 to 30 days, depending on your quantity.

Q3: Can you send samples?

A3: Sure, We can send some samples for test order.

Q4: Can your products include screw?

A4: Yes, customized product is available.

Q5: Do your products include screw?

A5: We can provide it according to your requirements.

Q6: How do I place an order?

A6: You can place an order by email. You can also fax us your request or call us to place an order. Please include the following; Company name, Company address, your Phone No, Fax numbers, email address and Model number, Quantity, color, finish and any other requirements you need.



Sunrise Foundry CO.,LTD



+86-15067447509



sales@greycastironcasting.com



greycastironcasting.com